

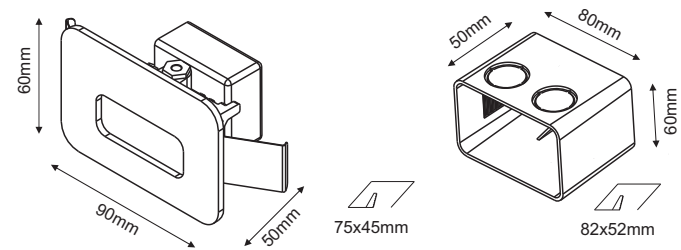
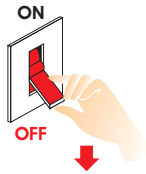
CANOVA Installation manual

Power: 3W
Input: 230V, 50/60Hz

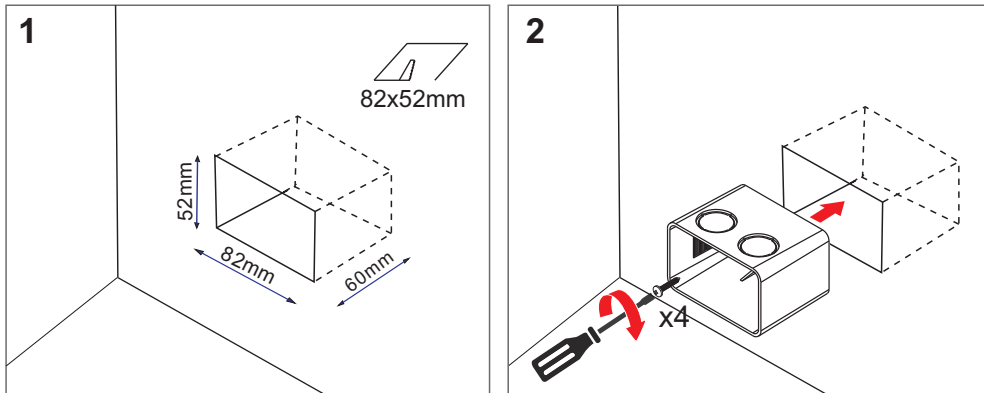


Attention

Before any maintenance switch off the main power.



Installation **with** Mounting Box



Installation **without** Mounting Box

